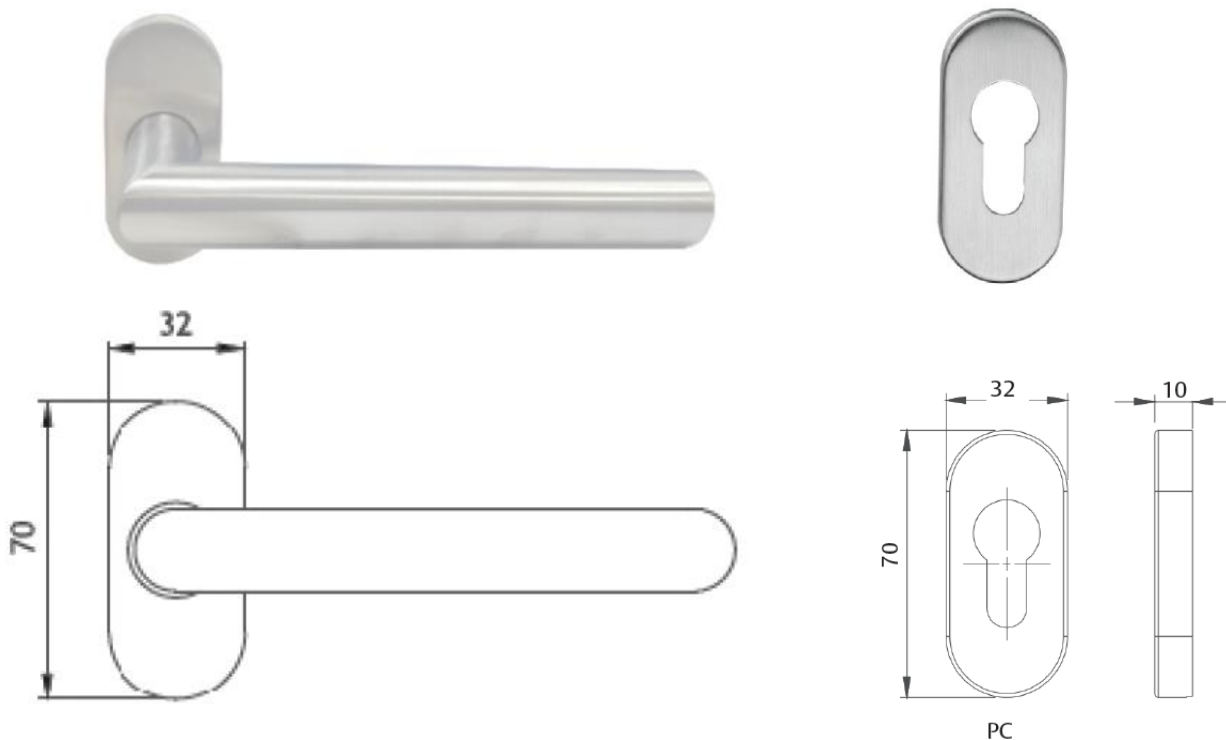


DIMENSIONAL TEMPLATE



Narrow Profile Lever Handle

ATL - 202

Model no.: ATL - 202

Description: Lever handle with narrow profile rose
Dimensions: Length - 135mm

Finish: Satin Stainless Steel - US32D

Model no.: AEP - 050

Description: Narrow profile escutcheons
Dimensions: Length - 70mm, width - 32mm

Finish: Satin Stainless Steel - US32D

Product Type : Lever Handle

Product Code : ATL-202

Drawing not to Scale