

Electromagnetic Locking Solutions



Z Series Single Non Monitored EML	56
Z Series Single Monitored EML	58
Z Series Double Non Monitored EML	60
Z Series Double Monitored EML	62
Z Series Recessed EML	64
Accessories	66

Z4 and Z8 Single Series Non Monitored Electromagnetic Lock

General Description

The Single Series Electromagnetic Locks operate with holding forces from 250kg up to 580kg. Covering a range of applications the Z4 and Z8 Electromagnets are ideal for applications from Standard doors through to high use commercial swing doors.

With fixing options including wood, aluminium and steel constructions, as well as glass door applications, the range caters to most electromagnetic needs.

Key Features

- Fail-safe: unlocks when power is removed
- Easy installation: suitable for both new and retrofit usage
- High holding force: refer to the technical data overleaf
- Self-alignment: armature plate pivots to accommodate door drop
- Silent operation: no humming or buzzing
- Dual voltage: site selectable 12 or 24 Vdc
- Instantaneous Release: smart electronics on the Z Series Electromagnets eliminate residual magnetism

Applications

- Aluminium doors
- Glass doors
- IT Storage rooms
- Access control
- Surface mount for inswing and outswing doors



Z4 Electromagnetic Lock - Non Monitored



Z8 Electromagnetic Lock - Non Monitored

Standards and Compliance



Successfully fire rated up to 4hrs on fire door assemblies in accordance with AS1905.1. 2005 (Part 1: Fire resistant door sets)

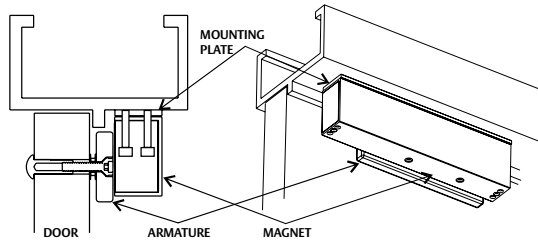


CE Approved

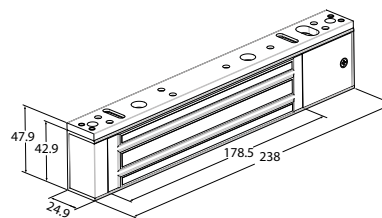


C-Tick Certified

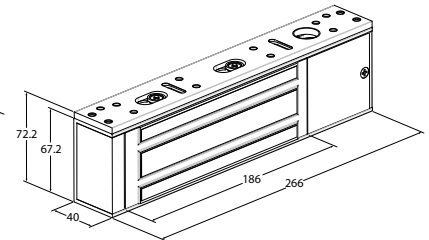
Z4 and Z8 Single Series Non Monitored Electromagnetic Lock



Typical Install for Z4 & Z8 out swinging doors.



Z4 Electromagnetic Lock



Z8 Electromagnetic Lock

Single Series Technical Information

	Z4 Magnet	Z8 Magnet
Holding Force	250kg – 280kg	550kg – 580kg
Dimensions*	(L)238 x (H)48 x (D)27 mm	(L)266 x (H)72 x (D)40 mm
Voltage	12Vdc/ 24Vdc ±10%	12Vdc/ 24Vdc ±10%
Current	450mA @ (12Vdc) 225mA @ (24Vdc)	512mA @ (12Vdc) 256mA @ (24Vdc)
Monitoring	None	None
Operating Temperature	-10 to 55 Degrees	-10 to 55 Degrees
Operating Humidity	0 - 95%	0 - 95%

Specification Statement

Holding force is measured directly between armature and magnet, holding force on the door may vary depending on the leverage created. The Single Series Electromagnetic Lock should be constructed in an aluminium case with heavy duty electromagnet. The range only operates in fail safe mode and relies on a secondary lock or battery backup system. In some cases the magnet armature plate pivots to accommodate door drop. The lock needs to be equipped with “smart electronics” that have zero residual magnetism, (instantaneous release). This is crucial for correct operation.

Ordering Information

Product Description	Part Number
Z4 Electromagnet - Non Monitored	770300-000T
Z8 Electromagnet - Non Monitored	770600-000T
Accessories	
EMZ4 BRACKET SINGLE L & Z	EMZ4B-SLZ
EMZ4 BRACKET GLASS U 12MM GLASS	EMZ4B-GU
EMZ4 BRACKET GLASS ARMATURE	EMZ4B-GA
EMZ4 BRACKET ARMATURE NON MONITORED	EMZ4B-AN
EMZ4 BRACKET SINGLE MOUNTING PLATE	EMZ4B-SMP
EMZ4 SPARE PART SCREW KIT	EMZ4SP-SC
EMZ8 BRACKET SINGLE L & Z	EMZ8B-SLZ
EMZ8 BRACKET GLASS U 12MM GLASS	EMZ8B-GU
EMZ8 BRACKET GLASS ARMATURE	EMZ8B-GA
EMZ8 BRACKET ARMATURE NON MONITORED	EMZ8B-AN
EMZ8 BRACKET SINGLE MOUNTING PLATE	EMZ8B-SMP
EMZ8 SPARE PART SCREW KIT	EMZ8SP-SC

Z4 and Z8 Single Series Monitored Electromagnetic Lock

General Description

The Single Series Electromagnetic Locks operate with holding forces from 250kg up to 580kg. Covering a range of applications the Z4 and Z8 Electromagnets are ideal for applications from Standard doors through to high use commercial swing doors.

With fixing options including wood, aluminium and steel constructions, as well as glass door applications, the range caters to most electromagnetic needs.

Key Features

- Fail-safe: unlocks when power is removed
- Easy installation: suitable for both new and retrofit usage
- High holding force: refer to the technical data overleaf
- Self-alignment: armature plate pivots to accommodate door drop
- Silent operation: no humming or buzzing
- Dual voltage: site selectable 12 or 24 Vdc
- Monitoring: Reed Switch monitoring on all models. Hall-Effect monitoring on Z4 and Z8 models.
- Instantaneous release: smart electronics on the Z Series Electromagnets eliminate residual magnetism

Monitoring

Hall / Bond Monitoring

This indicates that the lock is powered and that the armature plate is in position and magnetically bonded (it monitors if the magnet is locked)

Reed switch monitoring

An integrated reed switch monitors the door position separately (it monitors the position of the door)

Applications

- Aluminium doors
- Glass doors
- IT Storage rooms
- Access control
- Surface mount for inswing and outswing doors



Standards and Compliance



Successfully fire rated up to 4hrs on fire door assemblies in accordance with AS1905.1. 2005 (Part 1: Fire resistant door sets)

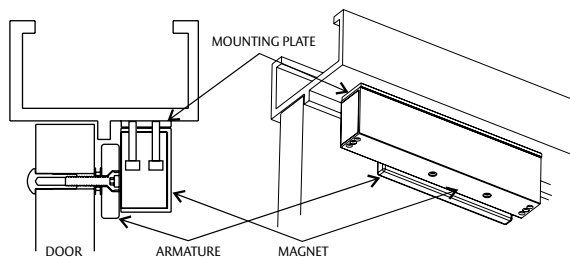


CE Approved

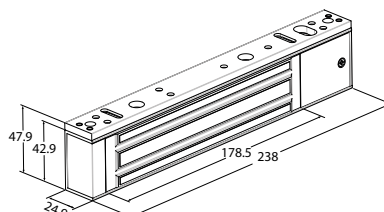


C-Tick Certified

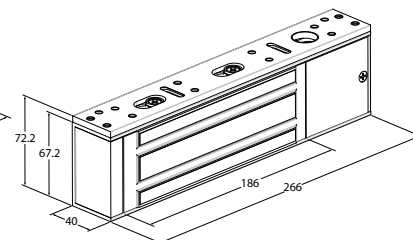
Z4 and Z8 Single Series Monitored Electromagnetic Lock



Typical Install for Z4 & Z8 out swinging doors.



Z4 Electromagnetic Lock



Z8 Electromagnetic Lock

Single Series Technical Information

	Z4 Magnet	Z8 Magnet
Holding Force	250kg – 280kg	550kg – 580kg
Dimensions*	(L)238 x (H)48 x (D)27 mm	(L)266 x (H)72 x (D)40 mm
Voltage	12Vdc/ 24Vdc ±10%	12Vdc/ 24Vdc ±10%
Current	450mA @ (12Vdc) 225mA @ (24Vdc)	512mA @ (12Vdc) 256mA @ (24Vdc)
Monitoring	Hall-Effect/Bond sensing & Reed Switch	Hall-Effect/Bond sensing & Reed Switch
Operating Temperature	-10 to 55 Degrees	-10 to 55 Degrees
Operating Humidity	0 - 95%	0 - 95%

Specification Statement

Holding force is measured directly between armature and magnet, holding force on the door may vary depending on the leverage created. The Single Series Electromagnetic Lock should be constructed in an aluminium case with heavy duty electromagnet. The range only operates in fail safe mode and relies on a secondary lock or battery backup system. In some cases the magnet armature plate pivots to accommodate door drop. The lock needs to be equipped with “smart electronics” that have zero residual magnetism, (instantaneous release). This is crucial for correct operation.

Ordering Information

Product Description	Part Number
Z4 Electromagnet - Monitored	770300-012T
Z8 Electromagnet - Monitored	770600-012T
Accessories	
EMZ4 Bracket Single L & Z	EMZ4B-SLZ
EMZ4 Bracket Glass U 12Mm Glass	EMZ4B-GU
EMZ4 Bracket Glass Armature	EMZ4B-GA
EMZ4 Bracket Armature Monitored W/Magnet	EMZ4B-AM
EMZ4 Bracket Single Mounting Plate	EMZ4B-SMP
EMZ4 Spare Part Screw Kit	EMZ4SP-SC
EMZ4 Spare Part Pcb Monitored	EMZ4SP-PCBM
EMZ8 Bracket Single L & Z	EMZ4B-SLZ
EMZ8 Bracket Glass U 12Mm Glass	EMZ8B-GU
EMZ8 Bracket Glass Armature	EMZ8B-GA
EMZ8 Bracket Armature Monitored W/Magnet	EMZ8B-AM
EMZ8 Bracket Single Mounting Plate	EMZ8B-SMP
EMZ8 Spare Part Screw Kit	EMZ8SP-SC
EMZ8 Spare Pcb Monitored	EMZ8SP-PCBM

Z4 and Z8 Double Series Non Monitored Electromagnetic Lock



Z4 Double Electromagnetic Lock - Non Monitored



Z8 Double Electromagnetic Lock - Non Monitored

General Description

The Double Series Electromagnetic Locks operate with holding forces from 500kg up to 1160kg. Covering a range of applications these magnets are ideal for applications from access ways through to high use commercial swing doors. With fixing options including wood, aluminium and steel constructions, as well as glass door applications, the range caters to most electromagnetic needs.

Key Features

- Fail-safe: unlocks when power is removed
- Easy installation: suitable for both new and retrofit usage
- High holding force: refer to the technical data overleaf
- Self-alignment: armature plate pivots to accommodate door drop
- Silent operation: no humming or buzzing
- Dual voltage: site selectable 12 or 24 Vdc
- Instantaneous release: smart electronics on the electromagnets eliminate residual magnetism.

Applications

- Aluminium doors
- Double swing doors
- Access control
- Surface mount for inswing and outswing doors

Standards and Compliance



Successfully fire rated up to 4hrs on fire door assemblies in accordance with AS1905.1. 2005 (Part 1: Fire resistant door sets)

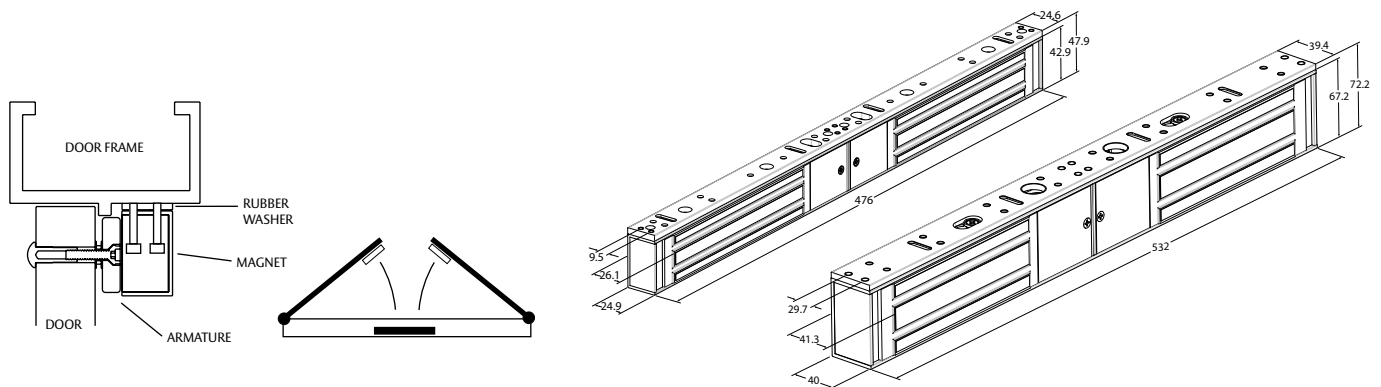


CE Approved



C-Tick Certified

Z4 and Z8 Double Series Non Monitored Electromagnetic Lock



Typical Install for Z4 & Z8 out swinging doors.

Z4 Electromagnetic Lock

Z8 Electromagnetic Lock

Double Series Non Monitored		
	Z4 Magnet	Z8 Magnet
Holding Force	500kg – 560kg	1100kg – 1160kg
Dimensions*	(L)476 x (H)48 x (D)27 mm	(L)532 x (H)72 x (D)40 mm
Voltage	12Vdc/ 24Vdc ±10%	12Vdc/ 24Vdc ±10%
Current	900mA @ 12Vdc 450mA @ 24Vdc	1024mA @ 12Vdc 512mA @ (12Vdc)
Monitoring	None	None
Operating Temperature	-10 to 55 Degrees	-10 to 55 Degrees
Operating Humidity	0 - 95%	0 - 95%

Specification Statement

Holding force is measured directly between armature and magnet, holding force on the door may vary depending on the leverage created. The Double Series Electromagnetic Lock should be constructed in an aluminium case with heavy duty electromagnet. The range only operates in fail safe mode and relies on a secondary lock or battery backup system. The lock needs to be equipped with “smart electronics” that have zero residual magnetism, (instantaneous release). This is crucial for correct operation.

Ordering Information

Product Description	Part Number
Z4 Double Electromagnet – Non Monitored	770300-100T
Z8 Double Electromagnet – Non Monitored	770600-100T
Accessories	
EMZ4 Bracket Double L & Z	EMZ4B-DLZ
EMZ4 Bracket Armature Non Monitored	EMZ4B-AN
EMZ4 Bracket Double Mounting Plate	EMZ4B-DMP
EMZ4 Spare Part Screw Kit	EMZ4SP-SC
EMZ8 Bracket Double L & Z	EMZ8B-DLZ
EMZ8 Bracket Armature Non Monitored	EMZ8B-AN
EMZ8 Bracket Double Mounting Plate	EMZ8B-DMP
EMZ8 Spare Part Screw Kit	EMZ8SP-SC

Z4 and Z8 Double Series Monitored Electromagnetic Lock



Z4 Double Electromagnetic Lock - Monitored



Z8 Double Electromagnetic Lock - Monitored

General Description

The Double Series Electromagnetic Locks operate with holding forces from 500kg up to 1160kg. Covering a range of applications these magnets are ideal for applications from access ways through to high use commercial swing doors. With fixing options including wood, aluminium and steel constructions, as well as glass door applications, the range caters to most electromagnetic needs.

Key Features

- Fail-safe: unlocks when power is removed
- Easy installation: suitable for both new and retrofit usage
- High holding force: refer to the technical data overleaf
- Self-alignment: armature plate pivots to accommodate door drop
- Silent operation: no humming or buzzing
- Dual voltage: site selectable 12 or 24 Vdc
- Monitoring: Hall-Effect and Reed Switch monitoring on all models
- Instantaneous release: Smart electronics on the Z Series electromagnets eliminate residual magnetism.

Applications

- Aluminium doors
- Double swing doors
- Access control
- Surface mount for inswing and outswing doors

Monitoring

Hall / Bond Monitoring

This indicates that the lock is powered and that the armature plate is in position and magnetically bonded (it monitors if the magnet is locked)

Reed Switch Monitoring

An integrated reed switch monitors the door position separately (it monitors the position of the door)

Standards and Compliance



Successfully fire rated up to 4hrs on fire door assemblies in accordance with AS1905.1. 2005 (Part 1: Fire resistant door sets)

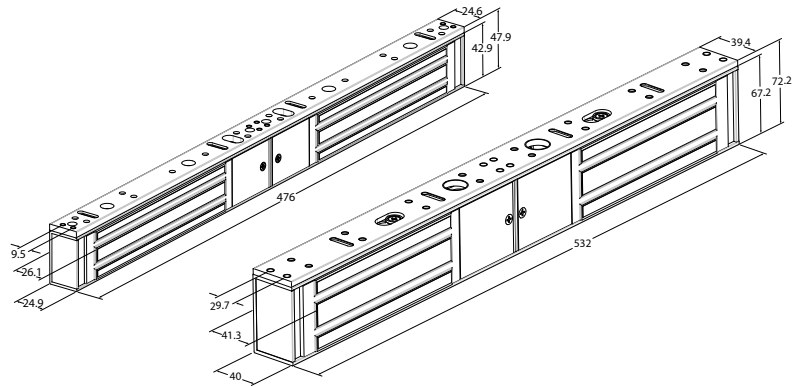
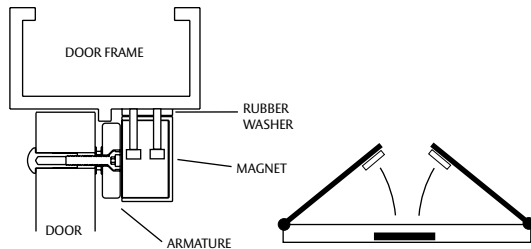


CE Approved



C-Tick Certified

Z4 and Z8 Double Series Monitored Electromagnetic Lock



Typical Install for Z4 & Z8 out swinging doors.

Z4 Electromagnetic Lock

Z8 Electromagnetic Lock

Double Series Monitored Technical Information

	Z4 Magnet	Z8 Magnet
Holding Force	500kg – 560kg	1100kg – 1160kg
Dimensions	(L)476 x (H)48 x (D)27 mm	(L)532 x (H)72 x (D)40 mm
Voltage	12Vdc/ 24Vdc ±10%	12Vdc/ 24Vdc ±10%
Current	900mA @ 12Vdc 450mA @ 24Vdc	1024mA @ 12Vdc 512mA @ (12Vdc)
Monitoring	Hall Effect / Bond sensing and Reed Switch	Hall Effect / Bond sensing and Reed Switch
Operating Temperature	-10 to 55 Degrees	-10 to 55 Degrees
Operating Humidity	0 - 95%	0 - 95%

Specification Statement

The Double Series Electromagnetic Lock should be constructed in an aluminium base with heavy duty electromagnet. The range only operates in fail safe mode and relies on a secondary lock or battery backup system. The lock needs to be equipped with “smart electronics” that have zero residual magnetism, (instantaneous release). This is crucial for correct operation.

Ordering Information

Product Description	Part Number
Z4 Double Electromagnet – Monitored	770300-112T
Z8 Double Electromagnet – Monitored	770600-112T
Accessories	
EMZ4 Bracket Double L & Z	EMZ4B-DLZ
EMZ4 Bracket Armature Monitored W/Magnet	EMZ4B-AM
EMZ4 Bracket Double Mounting Plate	EMZ4B-DMP
EMZ4 Spare Part Screw Kit	EMZ4SP-SC
EMZ4 Spare Part Pcb Monitored	EMZ4SP-PCBM
EMZ8 Bracket Double L & Z	EMZ8B-DLZ
EMZ8 Bracket Armature Monitored W/Magnet	EMZ8B-AM
EMZ8 Bracket Double Mounting Plate	EMZ8B-DMP
EMZ8 Spare Part Screw Kit	EMZ8SP-SC
EMZ8 Spare Pcb Monitored	EMZ8SP-PCBM

Z4 Recessed Electromagnetic Locks

General Description

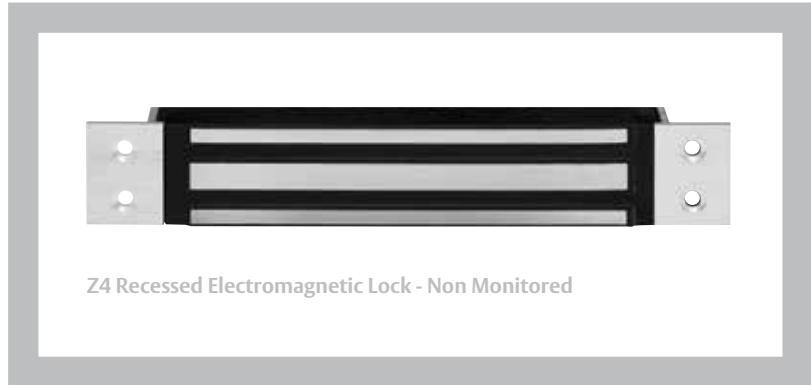
The Z4 Recessed Electromagnetic Locks operate with holding forces up to 280kg. Covering a range of applications these magnets are ideal for situations where the magnet needs to be recessed such as swing and sliding doors. With fixing options including wood, aluminium and steel constructions, the range caters to most needs. The Electromagnets are available in both Monitored and Non Monitored models, using Hall-Effect monitoring on some models. These electromagnetic locks are CSIRO approved for use on fire doors and are characterised by their high quality, and proven reliability in both fire and security applications.

Key Features

- Fail-safe: unlocks when power is removed
- Easy installation: suitable for both new and retrofit usage
- High holding force: refer to the technical data overleaf
- Self-alignment: armature plate pivots to accommodate door drop
- Silent operation: no humming or buzzing
- Dual voltage: site selectable 12 or 24 Vdc
- Monitored versions: Hall-Effect status monitoring available on some models

Applications

- Various sliding door applications

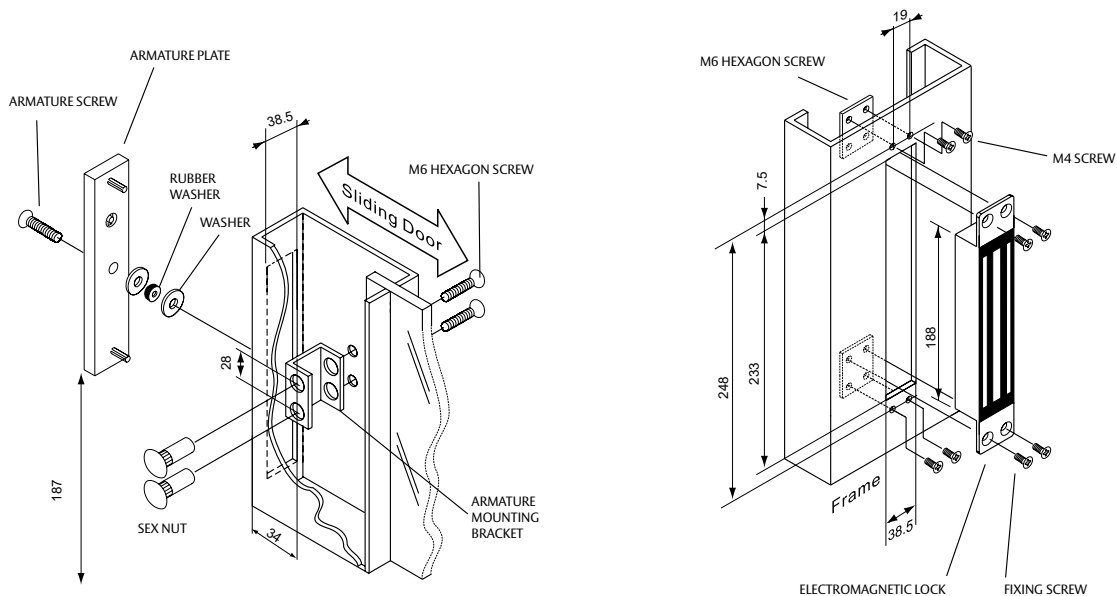


Standards and Compliance

 CE Approved

 C-Tick Certified

Z4 Recessed Electromagnetic Locks



Z4 Recessed Series Technical Information

	Z4 Magnet Non Monitored	Z4 Magnet Monitored
Holding Force	250kg – 280kg	250kg – 280kg
Dimensions	(L)182 x (H)42 x (D)23 mm	(L)182 x (H)42 x (D)23 mm
Voltage	12Vdc/ 24Vdc ±10%	12Vdc/ 24Vdc ±10%
Current	450mA @ 12Vdc 225mA @ 24Vdc	450mA @ 12Vdc 225mA @ 24Vdc
Monitoring	None	Hall Effect / Bond sensing
Operating Temperature	-10 to 55 Degrees	-10 to 55 Degrees
Operating Humidity	0 - 95%	0 - 95%

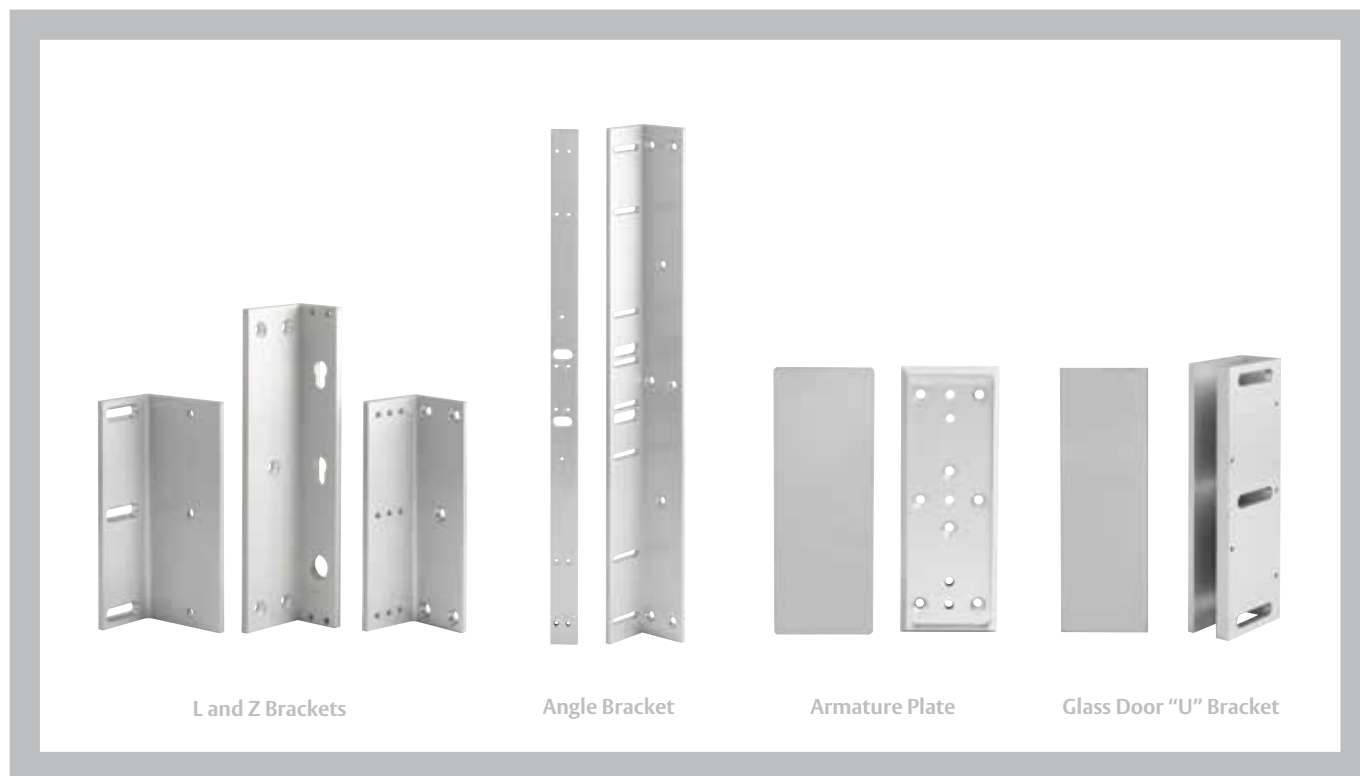
Specification Statement

The Recessed Series Electromagnetic Lock should be constructed in an aluminium case with heavy duty electromagnet. The range only operates in fail safe mode and relies on a secondary lock or battery backup system.

Ordering Information

Product Description	Part Number
Z4 Recessed Electromagnet – Non Monitored	770300-200
Z4 Recessed Electromagnet – Monitored	770300-210

Electromagnetic Lock Accessories



L and Z Brackets

Angle Bracket

Armature Plate

Glass Door "U" Bracket

General Description

The Trimec Electromagnetic lock range offers a number of accessory options. These accessories allow the electromagnetic locks to be used in a number of different applications and can be adjusted and suited to each situation. This allows the installer to configure the door as required allowing user specific features such as open in / open out selection or glass door applications. Trimec's Electromagnetic Lock accessories meet or exceed local and international standards, providing safe and secure locking.

Key Features

- Adjustable fixing positions
- Cast aluminium construction
- Meet and exceed International and local standards

Applications

- Open in/Open out doors
- Glass door security
- Double doors security
- Sliding door security

Ordering Information

Product Description	Part Number
L and Z Brackets	
Z4 Single	EMZ4B-SLZ
Z4 Double	EMZ4B-DLZ
Z8 Single	EMZ8B-SLZ
Z8 Double	EMZ8B-DLZ
Glass Door Armature Plate	
Z4	EMZ4B-GA
Z8	EMZ8B-GA
Glass Door "U" Bracket (12mm Glass)	
Z4	EMZ4B-GU
Z8	EMZ8B-GU
Mounting Plates	
Z4 Single	EMZ4B-SMP
Z4 Double	EMZ4B-DMP
Z8 Single	EMZ8B-SMP
Z8 Double	EMZ8B-DMP
Armature Bracket	
Z4 Non-Monitored	EMZ4B-AN
Z4 Monitored	EMZ4B-AM
Z8 Non-Monitored	EMZ8B-AN
Z8 Monitored	EMZ8B-AM
Screw Kits	
Z4	EMZ4SP-SC
Z8	EMZ8SP-SC
PCB's	
Z4 Monitored	EMZ4SP-PCBM
Z8 Monitored	EMZ8SP-PCBM





ASSA ABLOY is the global leader in door opening solutions, dedicated to satisfying end-user needs for security, safety and convenience.

ASSA ABLOY is represented in all major regions, in both mature and emerging markets, with leading positions in Australia, Europe and North America.

As the world's leading lock group, ASSA ABLOY offers a more complete product range of door opening solutions than any other company on the market.

ASSA ABLOY
Opening Solutions

Head Office

ASSA ABLOY Australia Pty Limited
235 Huntingdale Road
Oakleigh Victoria 3166
Australia

+61 (3) 8574 3888
exportem@assaabloyasiapacific.com
assaabloyopeningsolutions.com.au

